

GVS



*Protecting you for
life's best moments.*

Respiratory Protection Negative Pressure Tight Fitting



GVS Filter Technology

The GVS Group is one of the world's leading manufacturers of filter solutions for applications in the Health & Safety, Energy, Healthcare & Life Sciences sectors. GVS technology promotes health and safety in highly regulated environments.

Throughout its 40+ year history, GVS has evolved from a supplier of components for the healthcare sector to a global Group that provides a range of diversified, high-tech filtration solutions. Since 2021, GVS has produced loose-fitting respirators in Detroit, Michigan, USA.

HEALTH & SAFETY

The Health & Safety division of GVS designs and manufactures filtration devices for personal and collective respiratory protection. GVS Health and Safety products include the lightweight and compact reusable Elipse and Integra, for industrial use, the Segre FFP100/N99 disposable mask used in the healthcare sector, as well as positive pressure respirators, and a full range of energy-saving Bacticell HVAC or HEPA air adapters.



ENERGY & MOBILITY

Thanks to its numerous Development Centers around the world and a global network of production plants, GVS Energy & Mobility successfully meets the needs of its customers on an international scale, guaranteeing constant support from the development phase to product design, from realization of the prototype to industrial production, made with the most modern and competitive techniques.



HEALTHCARE & LIFE SCIENCES

The Healthcare & Life Sciences division of GVS manufactures filters and components to improve hospital patient care and it's a key partner for companies in the biopharma industry and analytical laboratories.



Safety

Innovative design, compact profile, replaceable filters, hypo-allergenic materials, lightweight for comfort, HESPA efficiency protection, low breathing resistance

Soft - Light - Resistant

The Elipse range of face masks, designed and manufactured by GVS, represent a major advance in mask design. As one of the lightest on the market in its class, its ergonomic shape provides maximum visibility to wearers and can safely be worn with goggles, helmets, and hearing protection. The ability to replace filters extends the masks overall working life. These compact profile masks are made of hypo-allergenic materials and the replaceable filters offer a minimum efficiency of 99.97% or higher at 0.3 microns particle size. Already approved in Europe, U.S.A. (NIOSH), Brazil, Russia, Korea and China.

Anatomical Design

GVS's range of extremely lightweight masks fit perfectly to the face without hindering the user. The compact profile of the mask and filters allow all Elipse range masks to create a perfect seal to the face and ensures the greatest possible field of vision without interfering with other eye, ear, or face protection.

Comfortable and Hypo-Allergenic

Unique comfort, thanks to the flexible and soft characteristics of the TPE (Thermo Plastic Elastomer), used in the Elipse masks makes them very comfortable to wear even when worn for an extended period of time. The materials that make up the mask are odorless and hypo-allergenic, latex and silicone free and conform to ISO 10993-10:200.

Patented Technology

The encapsulation is a patented technology owned by the GVS Group that enables us to produce a filter that is light, compact, and enveloped in soft TPE for longevity and durability.

HESPA™ P100 Filters

Our High Efficiency Synthetic Particulate Air-filter is a technology used across the Elipse range that enables the patented "encapsulation" production process. The 7 layers of combined filter media exclusively uses mechanical filtration technology to ensure the filters stay above 99.97% during use. The filters are also water-repellent.

Protection against Nano Particulates

GVS Elipse P100 particulate filters protect against nano particulates, and have been tested with particulates as small as 40 nanometers (0.04 microns) giving an efficacy of >99.97%.

**MADE
IN NORTH
AMERICA**

The Safe Choice
100% of filters are
efficiency tested



Guide to Respiratory Protection

Before using an Elipse respiratory device, the buyer and user must ensure that the masks and filters used are those specified for the type of hazard and its concentration. The ultimate responsibility concerning selection and use of products lies with the buyer and user.

Types of Filters

Dust filters are able to retain airborne particulates and are offered in various designs, which enhance the filters' characteristics, including thickness, porosity and surfaces, to protect against particulates, gases and nuisance odors. Activated carbon cartridge filters contain specific Activated carbon cartridge filters retain certain gases and vapors by absorption, while combined filters can remove both gases, vapors and particulates

Technical Characteristics of Filters

There are multiple types of particulate dust filters which have different filtration capabilities for different pollutants. Depending on which filter you choose, you can have the most suitable means of protection against airborne pollutants. The particles are retained by the filter by means of mechanical and/or electrostatic action.

In the case of gas filters, substances are retained by the chemical reaction of the activated carbon contained in the filter, which absorbs and neutralizes contaminants. It is assumed that the efficiency of gas and vapor absorbent material is 100% until the capacity of the filter material is met. For gas filters, we refer to : time completion or, rather, the period beyond which the filter is saturated and the pollutant begins to pass through the filter. The 'breakthrough' time depends on the quality of the absorbent material used, the active area of the cartridge, its filtration capacity against the pollutant, the gas concentrations, and the environmental conditions.

Face Fit Testing

Face fit testing is the method used to ensure that a face mask is correctly fitted so that there is no inward leakage of unfiltered air around the edges of the mask. Objectives of the test are to confirm that the wearer knows how to correctly fit the mask by adjusting the straps as well as validating its performance on the user. The second objective is to verify that the wearer uses a product type or size that fits them correctly.

There are two main methods of fit testing:

- Qualitative: The test subject dons the appropriate RPE, then places a hood over their head, creating a chamber. A solution, such as Bitrex, is sprayed into the hood whilst the test subject carries out a number of exercises. The solution should only be tasted by the test subject if the RPE is poorly fitted.
- Quantitative: The subject is tested via a Portacount that will measure the number of particles in the atmosphere versus the number of particles inside the mask. This allows you to calculate a Fit Factor. This type of test also allows you to accurately compare the suitability of various models of respirators.



SPM646 | Portacount Gas Mask Face Fit Kit Adaptor



SPM002 | Qualitative Face Fit Kit



SPM414 | Portacount Face Fit Kit Adaptor

Protection Against Particulates (Dust, Mists, and Toxic Fumes)



Dust: dust forms when a solid material is broken down into tiny fragments. The finer the dust, the higher the risk of inhalation.



Mist: mists are tiny droplets that are formed from liquid materials by atomization and condensation processes, such as spray painting.



Fumes: fumes are formed when a solid material is vaporized by high heat, the vapor cools quickly and condenses into very fine particles.

NIOSH approved respiratory filters have different classes of protection for removal of any particle including oil-based liquid aerosols, with increasing efficiency. Particulate filters are classed as N, R, or P combined with 95, 99, or 100

N - Not resistant to oil mist

R - Resistant to oil mist

P - Protective against all particulates

95, 99, 100 approximate filter efficiency against 0.3 micron particles

P100 particulate Filters capture at least 99.97% of 0.3 micron airborne particles. They are strongly resistant to oil mist. P100 filters are distinguished by their Magenta color.

Protection Against Gases and Vapors

Gases and vapors are molecular; so small that they can penetrate particulate filters. You need to use a chemical filter to protect yourself from these.



Anti-gas respirators have activated carbon filters which, for physical or chemical adsorption, withhold the harmful substances that are distinguished by identifying letters and/or colors. NIOSH approved respiratory gas and vapor filters are distinguished by identifying colors:

Type

- BLACK
- WHITE
- YELLOW
- GREEN
- OLIVE

Protection

- Organic vapors
- Acid gases
- Organic vapors and Acid gases
- Ammonia and Methylamine
- Multi-Gas/Vapors

Guide to Choosing Respiratory Filters



Suggested Filter

INDUSTRY	HARMFUL SUBSTANCE / RISK	Suggested Filter					
		P100	P100 Nuisance	OV/P100	OV/AG/P100	Multi Gas	P100 Multi Gas
AGRICULTURE	Grain Dust	✓	✓				
	Pesticides			✓	✓		
AUTOMOTIVE	Paint Vapor			✓	✓		✓
CONSTRUCTION	Silica Dust	✓					
	Paint Vapor			✓	✓		
	Asbestos	✓	✓				✓
	Molds	✓	✓	✓			
BUILDING MATERIALS	Concrete Dust	✓					
	Stone Dust	✓					
	Aggregate Dust	✓					
	Wood Dust	✓					
FOOD	Cement Dust	✓					
	Poultry	✓	✓				
	Powders (Dairy, Flour)	✓	✓				
MANUFACTURING	Glass Fibers	✓					
	Cyclohexane			✓	✓	✓	✓
	Composite Fibers	✓					
	Solvents			✓	✓		✓
	Lead Fumes	✓					
	Chlorine				✓	✓	✓
	Formaldehyde				✓	✓	✓
	Sulfuric Acid (gas only)				✓	✓	✓
	Sulfuric Acid (powder)				✓		✓
	Ammonia based chemicals					✓	✓
MINING	Coal Dust	✓					
	Silica Dust	✓					
	HCN				✓		✓
WELDING AND METAL INDUSTRY	Metal (any)	✓	✓				
	Painted metal (repair)				✓		✓

GVS Elipse Masks Sizes Guide

A: Face Length

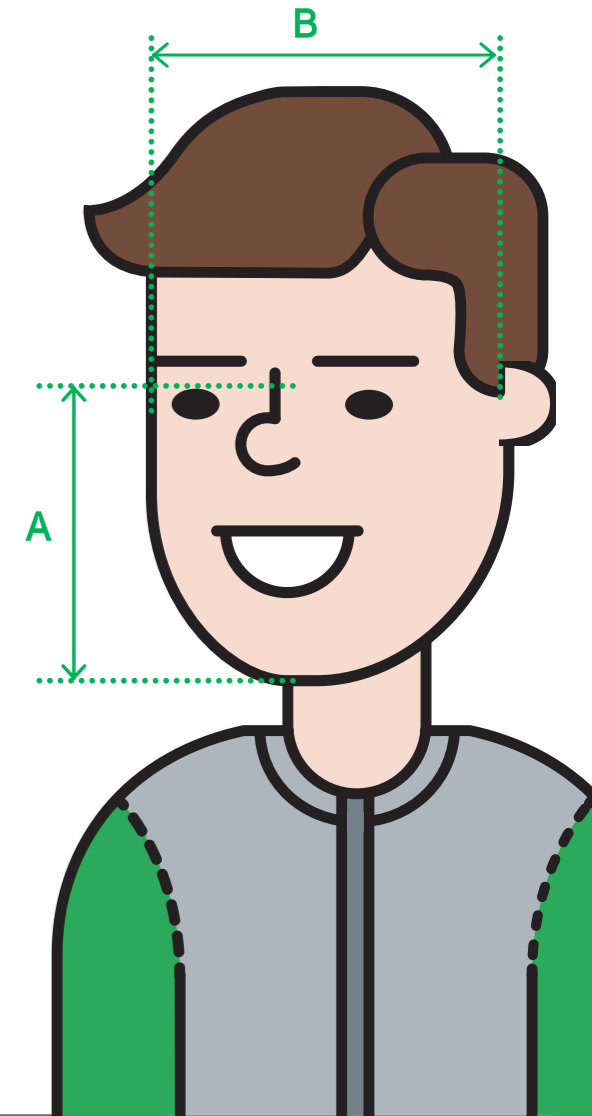
Measure the distance from the bridge of your nose to the point of your chin.

B: Face Width

Measure the distance between the zygomatic arches (from one cheekbone to the other).

Face Width: A	5.05 in - 5.4 in	M/L	M/L	M/L
	4.6 in - 5.05 in	S/M	M/L	M/L
	4.2 in - 4.6 in	S/M	S/M	M/L
	3.8 in - 4.2 in	S/M	S/M	S/M
	4.7 in - 5.2 in	5.2 in - 5.7 in	5.7 in - 6.2 in	
	Face Width: B			

All measurements are in inches.

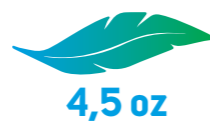


***Note:** Size Chart is a guide only, correct sizing and fit must be qualified using either a quantitative or qualitative face fit test in accordance with National/Local regulations.

It is the responsibility of the user to choose the adequate protection for the workplace.

For more detailed information please contact your local sales advisor.

Elipse Dust Mask - P100 HESPA™ with Replaceable Filters for Dust, Fumes, and Mists



Description

Compact, lightweight, and flexible design which adapts and fits perfectly to the wearer's face. It offers a full range of vision without interfering with other eye or ear protection equipment. A large central non-return valve allows for a reduction of breathing resistance for the user and keeps moisture build-up inside the mask to a minimum. A lightweight, non-slip strap is easily adjusted to 4 positions for improved comfort and to allow safe use even in high humidity or wet conditions. Elipse® comes in 2 sizes.

Protection Properties

The Elipse is effective against dust and fumes containing substances such as micro-organisms, marble, gypsum, titanium oxide, soapstone, rock wool, wood, detergents, textile fibers, spices, salt, feed, etc. It also protects against dust that can cause lung disease. In particular, the Elipse protects against harmful dusts such as coal, silica, cotton, iron ore, graphite, kaolin, zinc, aluminum, asbestos, bauxite, manganese, lead, and chromium.

Pleated interchangeable P100 filters have a minimum efficiency of 99.97% at 0.3 microns and a breathing resistance of 3 mbar at a flow rate of 47.5 l/min for each filter.

Fields of Application

The Elipse is suitable for mining, steel mills, foundries, mechanical work, pharmaceutical, cement, glass, ceramics, chemicals, textile industries, shipyards, battery manufacturing, waste management, construction, heavy metals (lead, nickel, chromium), and rail industry.

Certifications

NIOSH Approval number: P100 TC-84A-6949
P100 with Nuisance Odor TC-84A-6950
Elipse P100 respirator has met the requirements of 42 CFR 84 (Code of Federal Regulations).

Materials

The materials used for masks and filters are hypo-allergenic, odorless, medical grade, and without latex or silicone.

Batch Reports

Full traceability of each batch against each material used.

On Line Testing

100% of filters are efficiency tested with NaCl to ensure the highest performance and quality.

Storage Life

5 years for mask and P100 filters.
Elipse P100 Nuisance Odor R D: 5 years.



Designed to fit the contours of your face



Ellipse Low Profile Dust Mask Characteristics

Dimensions:

Mask: (S/M) 3,74" x 4,96" x 4,17" (widest point)
(M/L) 3,74" x 5,2" x 4,17" mm (widest point)

Weight

Mask + Filter: (S/M) 4,5 oz; (M/L) 4,8 oz
Mask body: 3.31 oz
Filter only 0.63 oz each

molded / encapsulated. Filters are water repellent and re-usable.

Lifetime:

Filters can be used until fully clogged and / or when the wearer feels uncomfortable. The lifetime of a filter depends on the concentration of hazards in the workplace, the activity level, time spent in storage, and care. The filtration level will stay constant and superior at 99.97% or greater throughout its use. It's advised to use the carry case below.

Material:

Mask: Medical grade TPE (Silicone free).
Filters: Mechanical type HESPA™ Synthetic media with TPE over

Model



SPR321
P100
replacement filters

SPR451 (S/M) | ELIPSE P100
SPR457 (M/L) | Half Mask complete
with P100 filters



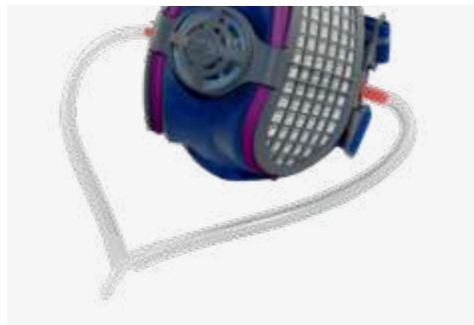
SPR450
P100 Nuisance Odor
replacement filters

SPR449 (S/M) | ELIPSE P100 Nuisance Odor
SPR456 (M/L) | Half Mask complete with
P100 nuisance odor filters

Accessories



SPM001 | ELIPSE P100 Mask Carry
Case (with Belt Holder)



SPM414 | Portacount Face
Fit Kit Adapter



Fogging

No fogging

Leakage

Soft hypoallergenic
TPE material

Uncomfortable and
non-adjustable

Fits to your face

Low efficiency and short
life disposable filter

HESPA™ High Efficiency (>99,99%)
Reusable and replaceable filters

Pleated filter to reduce
breathing resistance

COST REDUCTION UP TO 50%
Using GVS Elipse instead of disposable respirators

www.gvs.com

Ellipse Low Profile Gas & Particulate Mask



Description

Compact, lightweight, and a flexible design which adapts perfectly to the face and offers a full range of visibility without interfering with other eye or ear protection.

New filters offer low breathing resistance, an increase in gas performance, and greater duration of use.

New and improved easy to adjust headband clip with enhanced retention performance. The Ellipse Organic Vapor P100 comes in 2 sizes.

Protection Properties

This mask is recommended for organic gases and dust, pesticides, painting, as well as solvents for automotive, construction, agriculture, and the ship maintenance industry.

The gas filters contain activated carbon granules with special characteristics related to pore size, grain size, activation level, density, etc. These characteristics guarantee high absorption performance and low breathing resistance.

Each mask is fitted with two filters for protection against gases, vapors, and dust.

Once the filters are exhausted, they can be replaced with spare filters.

Application

- For organic gases and vapors
- Welding (Metal Fumes and Dust in confined space, as gas welding)
- Construction (Paint, Molds)
- Car & Ship Repair (Epoxy, Paint, Solvent)
- Manufacturing (Solvents, Various Organic Gases)
- Agriculture (Pesticides)

Certifications

NIOSH Approval number:
P100/OV TC-84A-9377

Low Profile Gas and Dust Filters & Masks



Materials

Mask: Medical grade TPE Conforms to ISO 10993-10: 2010 for irritations.

Mask body latex and silicone free, odor free.

Valve body in Nylon, Inhalation/Exhalation diaphragm in Silicone.

4 point adjustable elasticated head and neck strap with comfort pad in TPE.

• Gas filters: Activated carbon sealed into a ABS shell.

• Particulate filters: Mechanical type multi-layer HESPA Synthetic media overmolded / encapsulated with flexible TPE.

Particulate filters are integrated with the carbon element.

Batch Reports

Full traceability of each batch against each material used.

On Line Testing

100% of filters are efficiency tested with NaCl to ensure the highest performance and quality.

Storage Life:

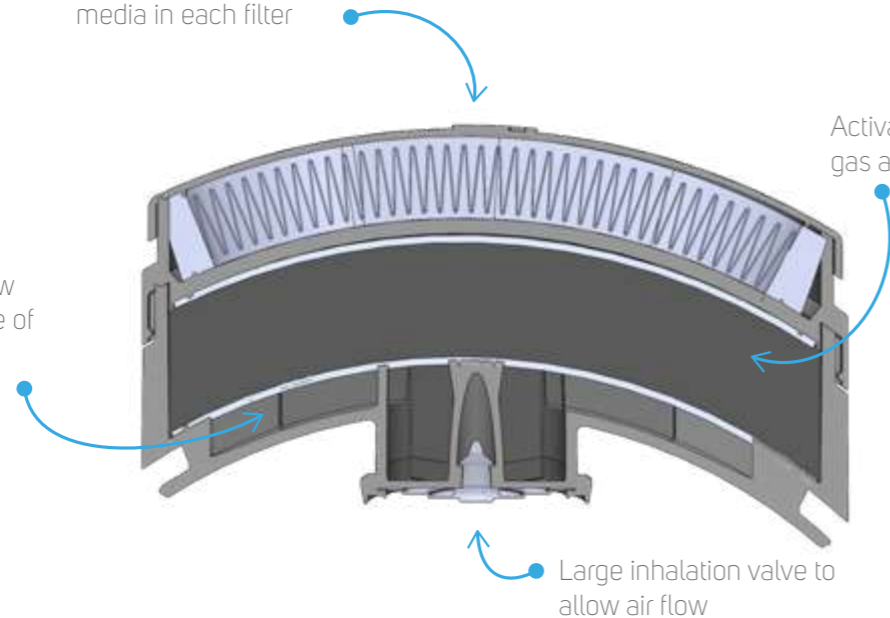
5 years for mask and filters.



Particulate plated filter
645 mm; length of actual
media in each filter

Activated carbon for
gas absorption

Structure to help airflow
diffusion and full usage of
the activated carbon



Large inhalation valve to
allow air flow

Elipse Low Profile Gas Mask Characteristics

Dimensions

Mask: (S/M) 97 x 126 x 138 mm

(M/L) 97 x 133 x 138 mm

Filter: 48,5 x 94,5 x 60 mm

Weight

Mask + Filter: net (S/M) 9.4 oz; (M/L)

9.5 oz

gross (S/M) 11.9 oz; (M/L) 12 oz

Filter: net 2.9 oz each; both net

5.9 oz, gross 6.9 oz

Material:

Mask: Medical grade TPE (Silicone free).

Filters:

• Activated carbon with ABS shell.

• Mechanical type HESPA™

Synthetic media with TPE over mold / encapsulation.

Lifetime:

Filters can be used until fully clogged and / or the wearer feels uncomfortable or until the activated carbon is exhausted and the wearer can smell / taste the contaminant. Its lifetime will depend on the concentration of hazards in the workplace and the activity level of the wearer. The filtration level will stay constant throughout the usage.

All masks are supplied with an aluminium zip foil bag for storage to maximize the life expectancy of the activated carbon.

The particulate element lifetime can also be increased by usage of our pre-filter kits below.

Model



SPR656 (S/M)
SPR657 (M/L)

ELIPSE OV/P100
Half Mask complete with
OV/P100 cartridges



SPR658

OV/P100

Replacement cartridges



SPM008

ELIPSE Low
Profile Gas Mask
Carry Case

Accessories



SPM646 | Portacount Gas Mask
Face Fit Kit Adapter



SPM420 | Pre-filter Kits



SPM421 | Pre-filter Pads

Eclipse High Performance Gas & Mask



Description

Compact, lightweight, and flexible design which adapts perfectly to the face and offers a full range of visibility without interfering with other eye or ear protective equipment.

New Filters with low breathing resistance, increase in gas performance, and greater duration of use.

New and improved easy to adjust headband clip with enhanced retention performance. Eclipse® come in 2 sizes.

Protection Properties

The gas cartridges contain specific activated carbon granules with optimized characteristics such as pore size, grain size, activity level, density etc., which provide maximum absorption performance and low breathing resistance. The respirator is supplied with two specific activated carbon filtering elements for the protection against a range of gases, vapors, dusts, and mists. Once these are finished, they can be replaced with replacement filters.

They offer versatile protection against dust and mists up to 50 TLV.

Fields of Application

Type	Protection
■ BLACK	Organic vapors
□ WHITE	Acid gases
■ YELLOW	Organic vapors and acid gases
■ GREEN	Ammonia and Methylamine
■ OLIVE	Multi-Gas/Vapors

Certifications

NIOSH Approval number:
 OV/P100 TC-84A-8062
 OV/AG/P100 TC-84A-8078
 Multi Gas /100 TC-84A-8453
 Multi Gas TC84A-23C-3485

Materials

The materials used for masks and filters are hypo-allergenic, odorless, FDA compatible and Non latex or silicone.

Batch Reports

Full traceability of each batch against each material used.

On Line Testing

100% of filters are efficiency tested with NaCl to ensure the highest performance and quality.

Storage Life

5 years for mask and filters.



High Performance Gas Filters and Masks



Eclipse High Performance Gas Mask Characteristics

Dimensions

Mask (straight carbon):
 (S/M) 4,72" x 4,96" x 6,73"
 (M/L) 4,72" x 5,23" x 6,73"
 Mask (with P100 Dust):
 (S/M) 4,72" x 4,96" x 6,73"
 (M/L) 4,84" x 4,96" x 7,44"
 Filter (straight carbon): 3,34" x 3,72" x 1,77"
 Filter (with P100 Dust): 3,54" x 3,72" x 2,16"

Weight

Mask + Filter: from 10,22 to 13,54 oz
 Mask body: 3,73 oz
 Filter: from 3,24 to 5,02 oz

Material:

Mask: Medical grade TPE (Silicone free).

Filters:

- Activated carbon with ABS shell.
- Mechanical type HESPA™ synthetic media with TPE overmold / encapsulation (for combined filters with P100 protection).

Lifetime

Filters can be used until fully clogged and / or the wearer feels uncomfortable or until the activated carbon is exhausted and the wearer can smell or taste the contaminant. Its lifetime will depend on the concentration of hazards in the workplace and the activity level of the wearer. The filtration level will stay constant throughout the usage. All masks are supplied with an aluminum zip foil bag for storage to maximize the life expectancy of the activated carbon. The P100 element is designed for a longer lifetime with double the amount of material usually put in other ranges.



Model



SPR466 (S/M) | ELIPSE OV/P100
 SPR467 (M/L) | Half Mask complete with OV/P100 cartridges



SPR468
 OV/P100
 Replacement cartridges



SPR472 (S/M) | ELIPSE OV/AG/P100
 SPR473 (M/L) | Half Mask complete with OV/AG/P100 cartridges



SPR474
 OV/AG/P100
 Replacement cartridges



SPR481 (S/M) | ELIPSE Multi-gas
 SPR482 (M/L) | Half Mask complete with multi-gas cartridges



SPR483
 Multi-gas
 Replacement cartridges



SPR484(S/M) | ELIPSE Multi-gas P100
 SPR485(M/L) | Half Mask complete with multi-gas P100 cartridges



SPR486
 Multi-gas P100
 Replacement cartridges

Integra Combined Eye and Respiratory Protection

The Combined Safety



Description

Compact, lightweight, and flexible design which adapts and fits perfectly to the face. It offers a unique and innovative combined protection, reducing risks of non-compatibility, non-conformity, and mist build up.

Large central non-return exhalation valve which reduces the breathing resistance for the user and keeps moisture build-up inside the mask to a minimum.

A lightweight, non-slip strap is easily adjusted to 4 positions for improved comfort and to allow safe use even in high humidity or wet conditions. Elipse® Integra comes in 2 sizes.

Protection Properties

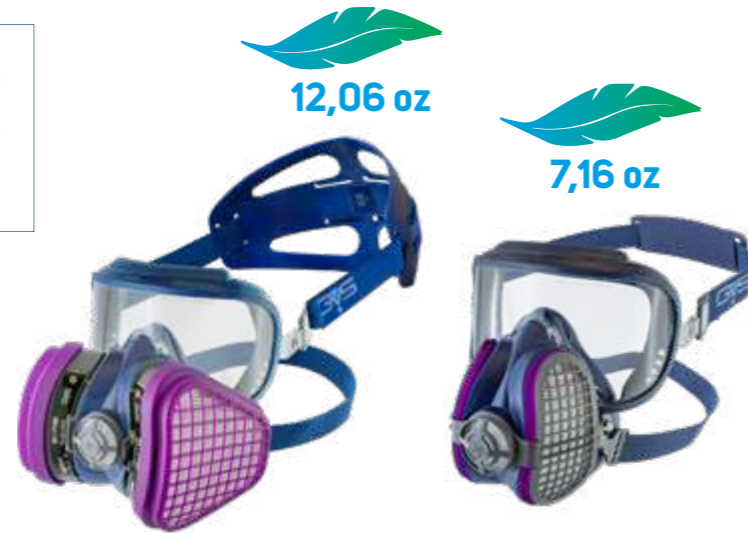
The lens is designed with polycarbonate and can withstand impacts according to ANSI Z87+. The coating applied gives it stronger durability and anti-fogging properties that exceed other standard anti-scratch lenses. Elipse Integra is compatible with the current Elipse® filter range.

Application

Type	Protection
■ BLACK	Organic vapors
□ WHITE	Acid gases
■ YELLOW	Organic vapors and Acid gases
■ GREEN	Ammonia and Methylamine
■ OLIVE	Multi-Gas/Vapors

Certifications

NIOSH Approval number
 TC84A-8119 P100
 TC84A-8120 P100 nuisance
 TC84A-8114 P100 P100/OV
 TC84A-8115 OV/AG/P100
 ANSI Z87+



Materials

The materials used for masks and filters are hypo-allergenic, odorless, FDA compatible, and non-latex or silicone.

Batch Reports

Full traceability of each batch against each material used.

On Line Testing

100% of filters are efficiency tested with NaCl to ensure the highest performance and quality.

Storage Life:

5 years for mask and filters.



The Integra 3/4 Mask System



INTEGRA

Integra is tested and approved as one combined respiratory protection to NIOSH and ANSI standards. It is the only 3/4 mask approved with permanently fixed safety eyewear.



Superior Anti-Scratch lens

Increased Field of Vision



Front and lateral impacts ANSI/CSA Z87+



Complete seal tested to prevent contaminants from entering the mask



Internal "Anti-Fog" treatment



Easy adjustment



Choice of filters ranging from dust to combined gas

Integra Characteristics

Dimensions

Mask with P100:
 (S/M) 6,61 x 5,98 x 7,87
 (M/L) 6,85 x 5,98 x 7,87
 Mask with High Performance:
 Combined Cartridges
 (S/M) 6,61 x 6,02 x 7,87
 (M/L) 6,85 x 6,18 x 7,87
 Carbon Cartridges
 (S/M) 6,61 x 5,94 x 7,87
 (M/L) 6,85 x 6,10 x 7,87

Filter P100: 0,47 x 3,7 x 1,96
 High Performance Filter:
 3,74 x 1,16 x 2,36

Weight

Mask with P100: from 11,88 oz, to 12,34 g
 Mask with High Performance:
 from 14,53 to 15,83 g
 Filter P100: 0,63oz
 High Performance Filter: from 3,24 to 5,02 oz

Material:

Mask: Medical grade TPE (Silicone free).
 Goggle lens: Polycarbonate with flow coating for anti-scratch/anti-fog.
 Goggle face seal: Medical grade TPE (Silicone free).

Lifetime:

Filters are identical to Elipse® range and follow the same criteria for Integra range.

Model



SPR 321

P100
Replacement filters



SPR450

P100 Nuisance Odor
Replacement filters

SPR549 (S/M) | INTEGRA P100
 SPR550 (M/L) | 3/4 Mask complete with P100 filters

SPR551 (S/M) | INTEGRA P100 Nuisance Odor
 SPR552 (M/L) | 3/4 Mask complete with P100 Nuisance Odor filters



SPR658

OV/P100
Replacement cartridges

SPR659 (S/M) | INTEGRA OV/P100
 SPR660 (M/L) | 3/4 Mask complete with OV/P100 cartridges



SPR 483
Multi-gas
Replacement cartridges



SPR 468
OV/P100
Replacement cartridges

SPR623 (S/M) | **INTEGRA Multi-gas P100**
SPR624 (M/L) | 3/4 Mask complete
with multi-gas P100 cartridges

SPR553 (S/M) | **INTEGRA OV/P100**
SPR554 (M/L) | 3/4 Mask complete
with OV/P100 cartridges



SPR474
OV/AG/P100
Replacement cartridges



SPR486
Multi-gas
Replacement cartridges

SPR555 (S/M) | **INTEGRA OV/AG/P100**
SPR556 (M/L) | 3/4 Mask complete
with OV/AG/P100 cartridges

SPR630 (S/M) | **INTEGRA Multi-gas**
SPR631 (M/L) | 3/4 Mask complete
with multi-gas cartridges

Accessories



SPM646 | Portacount Face
Fit Kit Adapter



SPM520 | Peel-off Visor
x 10



SPM007 | Hard Carry Case
for Integra



SPM639 | Integra
RX insert

GVS Masks Spare Parts List



SPM558 | Eclipse Mask
Particulate Strap
Support Assembly



SPM559 | Eclipse Integra
Particulate Strap
Support Assembly



SPM565 | Eclipse Mask slim
rubber headband pad



SPM578 | Eclipse Mask
cradle pad



SPM571 | Pair of elastics for
Eclipse Masks



SPM566 | Valve cover for All
Eclipse Gas Masks



SPM568 | Pack of 3 valve
diaphragms for Eclipse
Masks and Gas filters



SPM562 | Plastic cover kit for
Low Profile Eclipse
Gas Mask/Filters



SPM561 | Pack of 4 headband
clips for Eclipse Integra
and Eclipse High
Efficiency Gas Masks



SPM563 | Pack of 2 turnbuckles
for Eclipse Masks



SPM560 | Pack of 2 headband
connectors for Eclipse
Low Profile Gas Masks



SPM564 | Pack of 2 headband
connectors for Eclipse
High efficiency Gas
Mask



SPM569 | Pack of 2 headband
connectors for Eclipse
Integra Low Profile
Gas Masks



SPM567 | Pack of 2 headband
connectors for Eclipse
Integra High efficiency
Gas Mask



New Range of PAPR

Powered Air Purifying Respirators (PAPRs)

Our PAPR systems combine innovation with functionality, providing respiratory protection for a range of different applications.

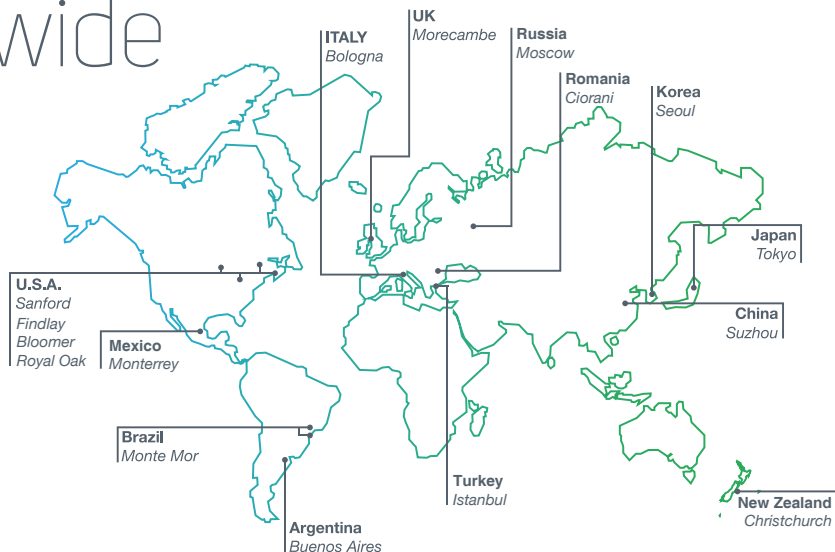


Note



Protecting you for
life's best moments.

Worldwide



Trademarks:

HESPA® and Elipse® are trade marks of GVS.

The pleat encapsulation filter technology used in this face mask is patented.

Copyright© 2023 GVS® S.p.A. All rights reserved.

Printed in Italy - Version 10022023

www.gvs.com

respirators@gvs.com

Europe

Italy - Head Office

GVS S.p.A.
Via Roma 50
40069 Zola Predosa (BO) - Italy
tel. +39 051 6176311
gvs@gvs.com



UK

GVS Filter Technology UK
Vickers Industrial Estate
Mellishaw Lane, Morecambe
Lancashire LA3 3EN
tel. +44 (0) 1524 847600
gvsuk@gvs.com

Russia

GVS Russia LLC.
Profsoyuznaya Street, 25-A, office 102
117418, Moscow
Russian Federation (Russia)
tel. +7 495 0045077
gvsrussia@gvs.com



Romania

GVS Microfiltrazione srl
Sat Ciorani de Sus 1E
107156 Ciorani
Prahova România
Tel. +40 244 463044
gvsromania@gvs.com

Turkey

GVS Türkiye
Cevizli mah. Zuhal cad. Ritim Istanbul no:44 A-1 Blok
D.371 Maltepe / Istanbul
tel. +90 216 504 47 67
gvsurkey@gvs.com

America

U.S.A.

RPB Safety LLC.
2807 Samoset Rd, Royal Oak,
MI 48073, USA
Tel. 1-866-494-4599

GVS North America
63 Community Drive
Sanford, ME 04072 - USA
tel. +1 866 7361250
gvsnasafety@gvs.com

GVS Filtration Inc.
2150 Industrial Dr
Findlay, Ohio, 45840-5402 - USA
tel. +1 419-423-9040

GVS Filtration Inc.
2200 W 20th Ave
Bloomer, Wisconsin, 54724-1918 - USA
tel. +1 715-568-5944

México
Universal No. 550, Vynmsa Aeropuerto Apodaca
Industrial Park,
Ciudad Apodaca, Nuevo León, C.P. 66626
México
tel. +52 81 2282 9003
e-mail: gvs_mex@gvs.com

Brazil

GVS do Brasil Ltda.
Rodovia Conego Cyriaco
Scaranello Pires 251
Jd. Chapadão, CEP 13190-000
Monte Mor (SP) - Brasil
tel. +55 19 38797200
gvs@gvs.com.br

Argentina

Parral 246-9° A
1405 Buenos Aires - Argentina
tel. +54 11 49889041
gvsarg@gvs.com



Asia

China

GVS Technology (Suzhou) Co., Ltd.
Fengqiao Civil-Run Sci-Tech Park,
602 Changjiang Road, S.N.D.
Suzhou, China 215129
tel. +86 512 66619880
gvschina@gvs.com

Japan

GVS Japan K.K.
KKD Building 4F, 7-10-12
Nishishinjuku
Shinjuku-ku, Tokyo 160-0023
tel. +81 3 5937 1447
gvsjapan@gvs.com

Korea

GVS Korea Ltd
#315 Bricks Tower
368 Gyungchun-ro(Gaun-dong),
Namyangju-si, Gyunggi-do,
Tel: +82 31 563 9873
gvs_korea@gvs.com

India

GVS Filter India Pvt Ltd
Unit No 35 & 36 on First Floor
Ratna Jyot Industrial Premises Irla Lane,
Irla Vile Parle, Mumbai 400056, India
gvsindia@gvs.com



Malaysia

GVS Filtration Sdn.Bhd
Lot No 10F-2B, 10th Floor, Tower 5 @ PFCC
Jalan Puteri 1/2, Bandar Puteri
47100 Puchong, Selangor, Malaysia
Tel: +60 3 7800 0062
gvs_malaysia@gvs.com

Thailand

GVS Thailand
88 Ratchadaphisek Rd,
Office 10E03 - Khlong Toei,
Bangkok 10110
gvs_thailand@gvs.com

New Zealand

RPB Safety Ltd.
3 Robin Mann Place,
Christchurch Airport, 8053
Christchurch, New Zealand
Tel. +64 3 357 1761



ALASDAF Trading Est

E: alasdaf@al-asdaf.com

T: +966 13 362 0988

F: +966 13 362 0984

www.alasdaf.com.sa